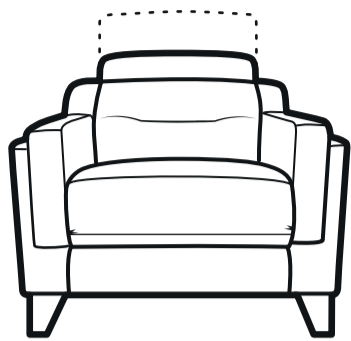
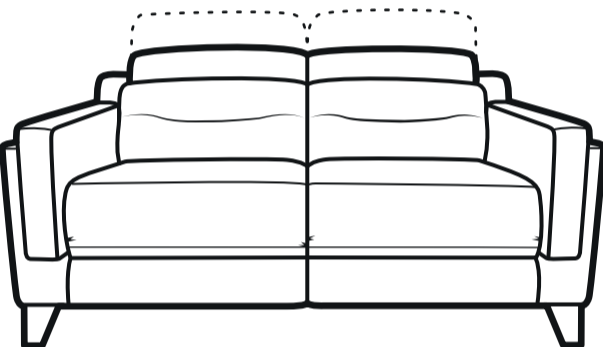


DESIGN 1801



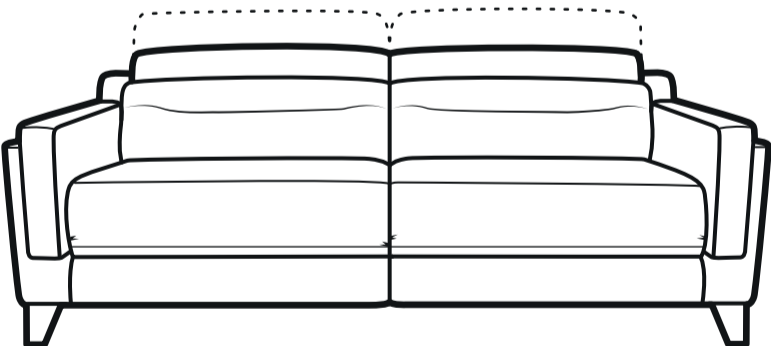
DESIGN 1801 CHAIR

Height (max)	100 cm
Height (min)	83 cm
Width	95 cm
Depth	103 cm
Seat Height	51 cm
Seat Width	59 cm
Seat Depth	55 cm
Arm Height	61 cm
Leg Height	12.3 cm
Weight	kg



DESIGN 1801 2 SEATER

Height (max)	100 cm
Height (min)	83 cm
Width	158 cm
Depth	103 cm
Seat Height	51 cm
Seat Width	122 cm
Seat Depth	55 cm
Arm Height	61 cm
Leg Height	12.3 cm
Weight	kg



DESIGN 1801 LARGE 2 SEATER

Height (max)	100 cm
Height (min)	83 cm
Width	194 cm
Depth	103 cm
Seat Height	51 cm
Seat Width	158 cm
Seat Depth	55 cm
Arm Height	61 cm
Leg Height	12.3 cm
Weight	kg

Options

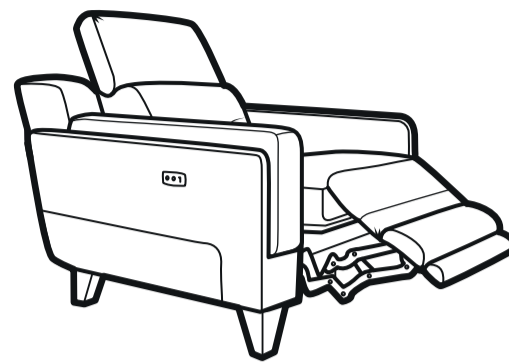
	Standard	Options
Wood finish	Walnut	Washed Oak, Brushed Steel
Seat Cushions	Foam	N/A

All options are available at no additional charge. PLEASE STATE YOUR CHOICE CLEARLY WHEN ORDERING. Your order will be supplied with the standard finish unless you state the option.

March 2018

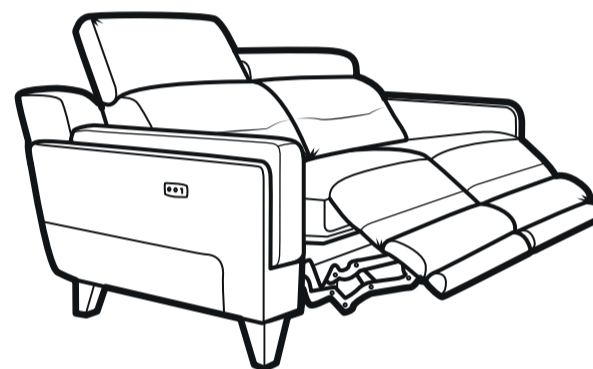


Parker Knoll



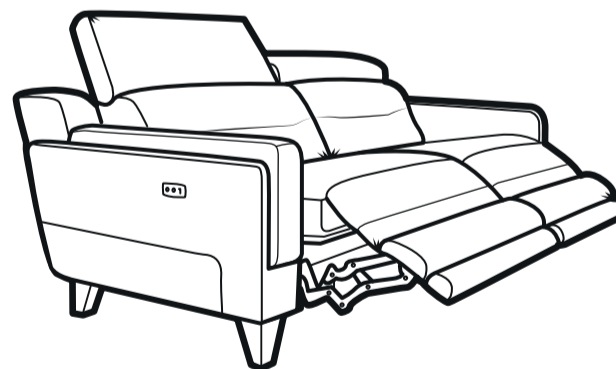
DESIGN 1801 CHAIR POWER RECLINER

Height (max)	100 cm
Height (min)	83 cm
Width	95 cm
Depth	103 cm
Full Recline	160 cm
Seat Height	51 cm
Seat Width	59 cm
Seat Depth	55 cm
Arm Height	61 cm
Leg Height	12.3 cm
Weight	kg



DESIGN 1801 2 SEATER POWER RECLINER

Height (max)	100 cm
Height (min)	83 cm
Width	158 cm
Depth	103 cm
Full Recline	160 cm
Seat Height	51 cm
Seat Width	122 cm
Seat Depth	55 cm
Arm Height	61 cm
Leg Height	12.3 cm
Weight	kg



DESIGN 1801 LARGE 2 SEATER POWER RECLINER

Height (max)	100 cm
Height (min)	83 cm
Width	194 cm
Depth	103 cm
Full Recline	160 cm
Seat Height	51 cm
Seat Width	158 cm
Seat Depth	55 cm
Arm Height	61 cm
Leg Height	12.3 cm
Weight	kg